

ROUND RODS FOR ADAPTERS 25 MM ROLLERS (R) STEEL



Round $\varnothing 8$ mm rod with 25 mm roller, for handles and latches with multi-point cams. The length L in the drawing is the total length from the centre of the hole at flat end, to the end of the roller. Rod model R is used with a rod adapter (to be ordered separately). The adapter adds 14 mm to the total length (see drawing).

This product is delivered in custom lengths and is available on request only.



MATERIAL

Rivet: Steel, zinc plated

Rod: Steel, zinc plated

Roller: Glass fibre reinforced polyamide (PA6GF30)

RELATED PRODUCTS

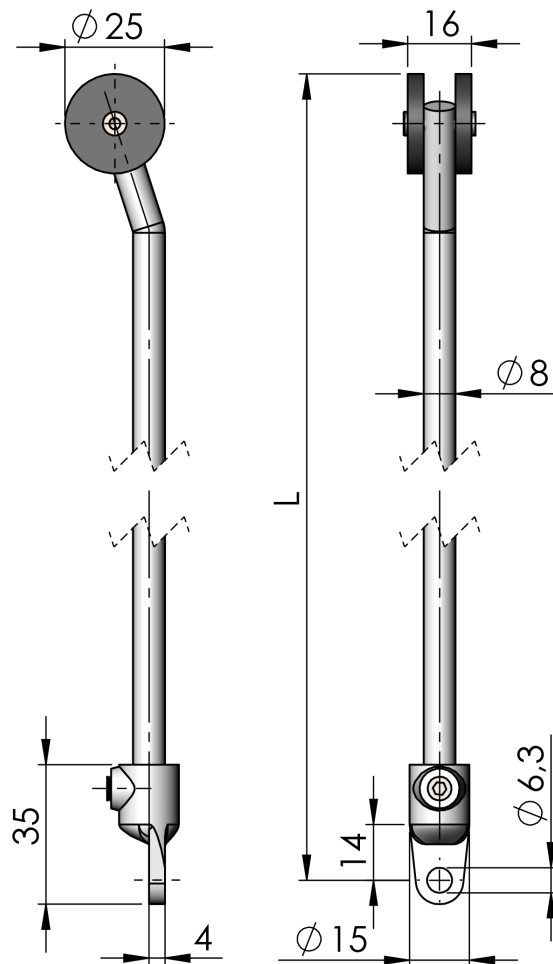
Cams: 2-490, 2-491, 2-500b, 2-510

Rod guides: 2-560, 2-570

Rod adapters: 2-541

Other materials: 2-545

Use the Index Code at industrilas.com



Industrilas
— When access counts —

P/N	Material	Length in mm	Type
282151	Steel	L=400 mm	Rod R
282152	Steel	L=500 mm	Rod R
282153	Steel	L=600 mm	Rod R
282154	Steel	L=800 mm	Rod R
282155	Steel	L=900 mm	Rod R
282156	Steel	L=1000 mm	Rod R
282157	Steel	L=1100 mm	Rod R
282158	Steel	L=1200 mm	Rod R
282161	Steel	L=700 mm	Rod R